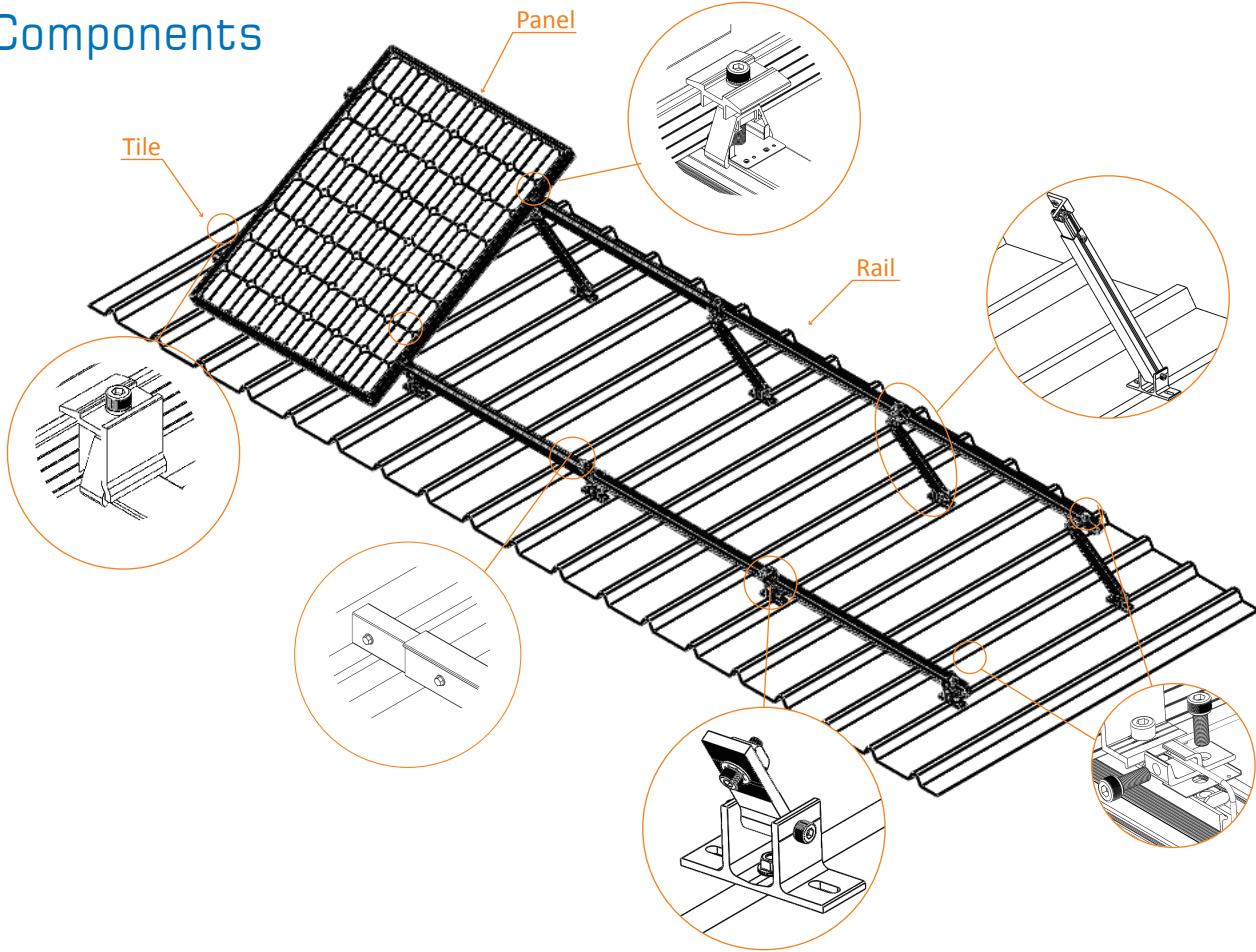



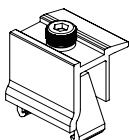
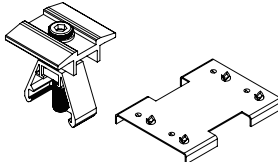

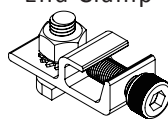
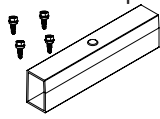
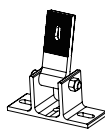





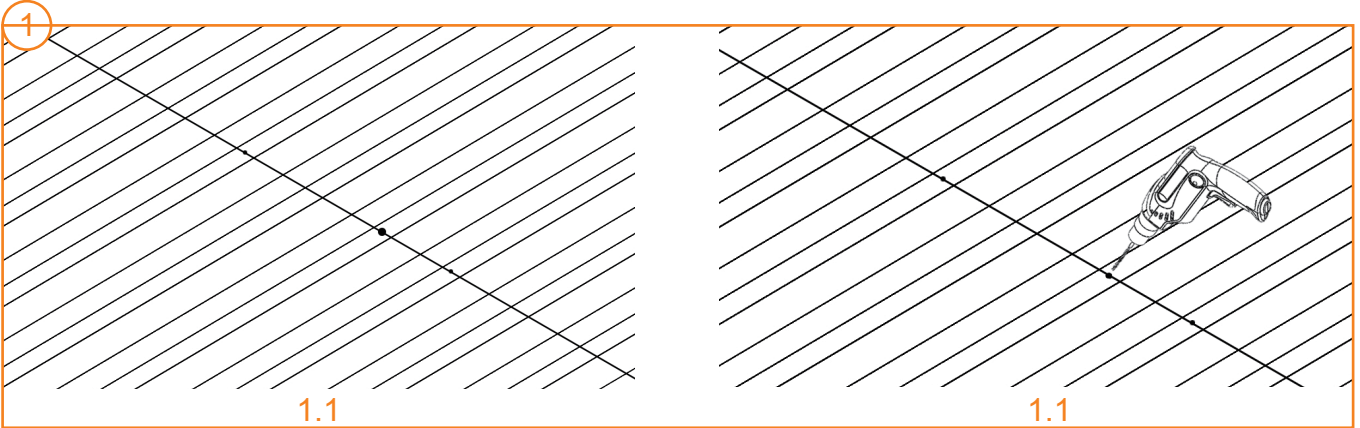
## Components



## Installation Tools

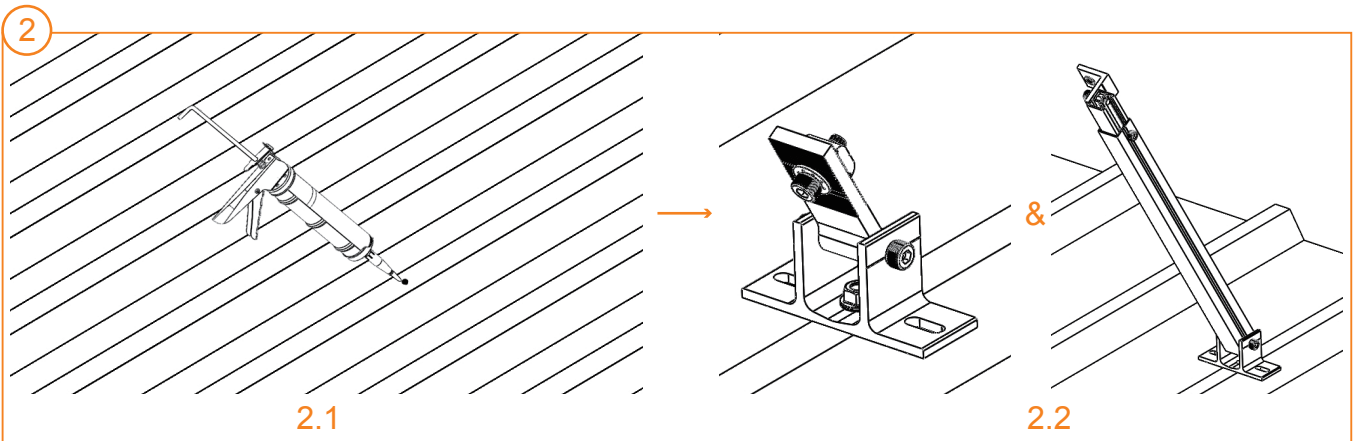
 <input type="checkbox"/> Tape Measure	 <input type="checkbox"/> Chalk Line	 <input type="checkbox"/> Labor Protection Products
 End Clamp	 Mid Clamp	 <input type="checkbox"/> Allen Key
 Grounding Lug	 Rail Splice Kit	
 Adjustable Leg	 <input type="checkbox"/> Open-end Spanner	 

## Installation Steps

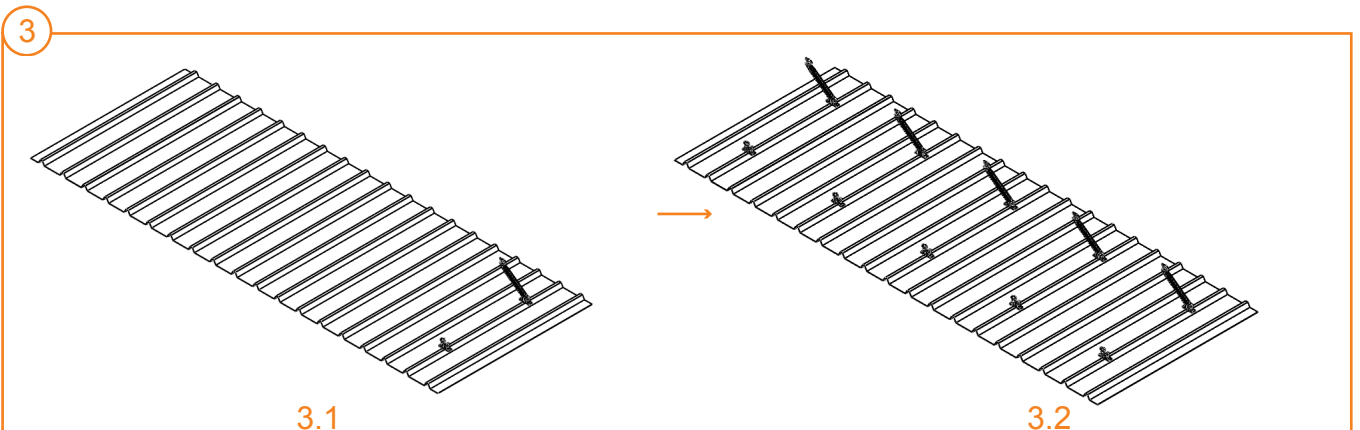


Determine where the roof mounts will be positioned based on position of existing roof screws, and mark it with a chalk line. Determined the positions where the adjustable legs will be attached on the unused crests. Drill a single 6mm pilot hole.

### Installation of Chiko adjustable legs

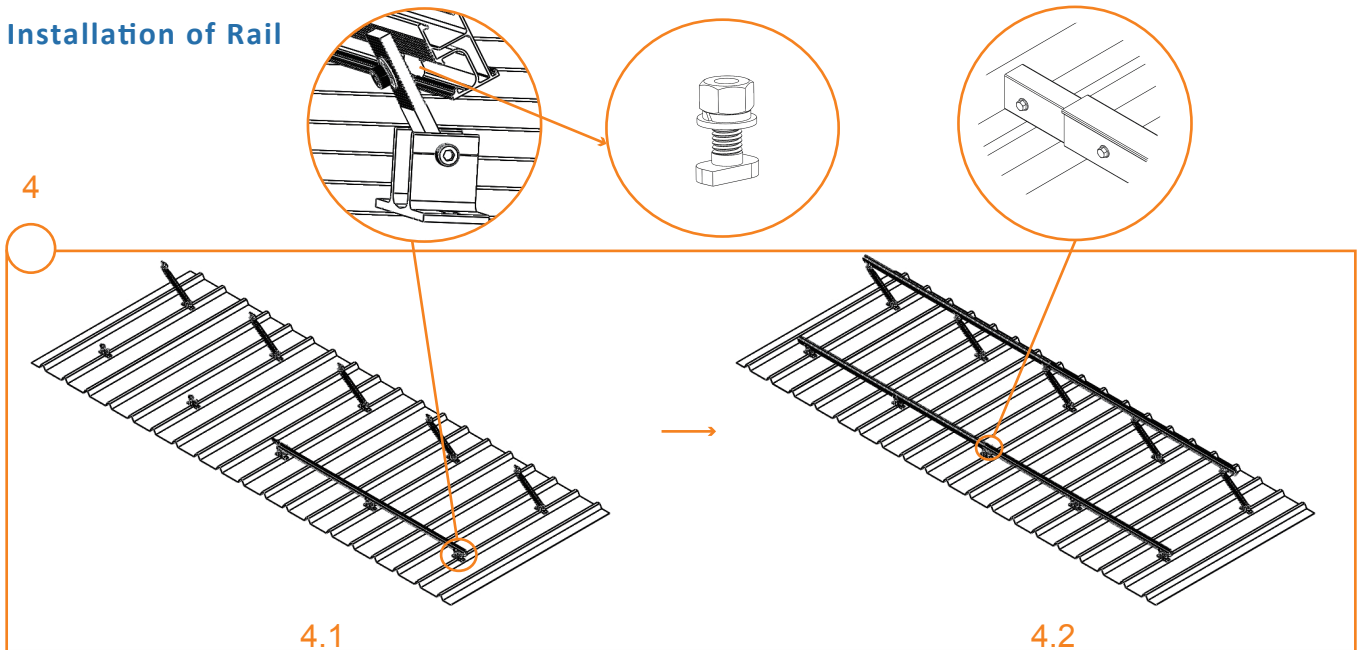


Backfill the pilot hole with sealant then fix the adjustable leg.



Install all the adjustable legs according to step 2  
The rear column length could be extended to make a proper tilt angle, refer to drawing 1-1

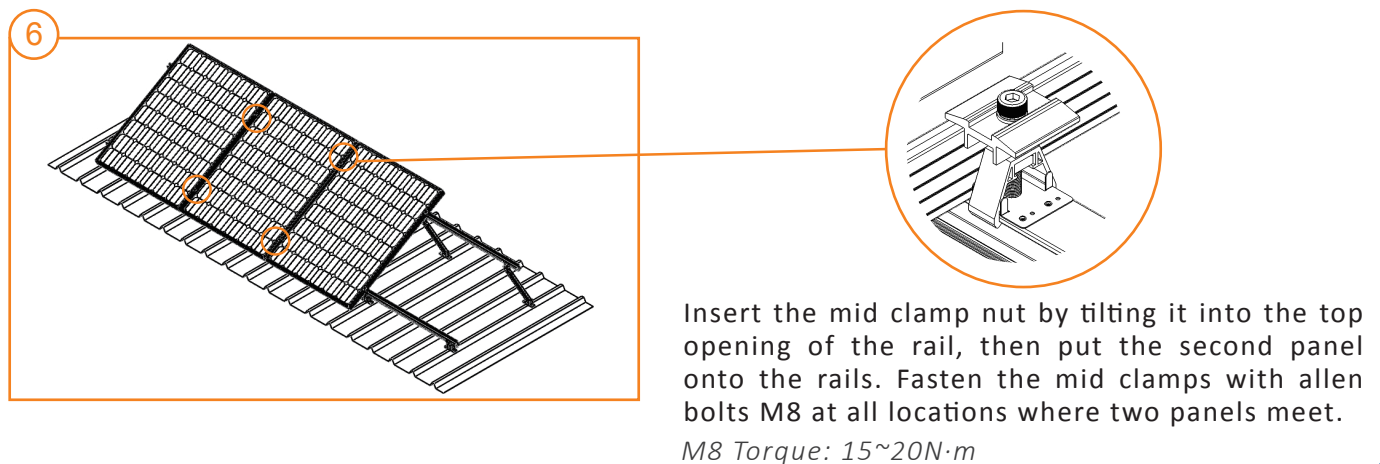
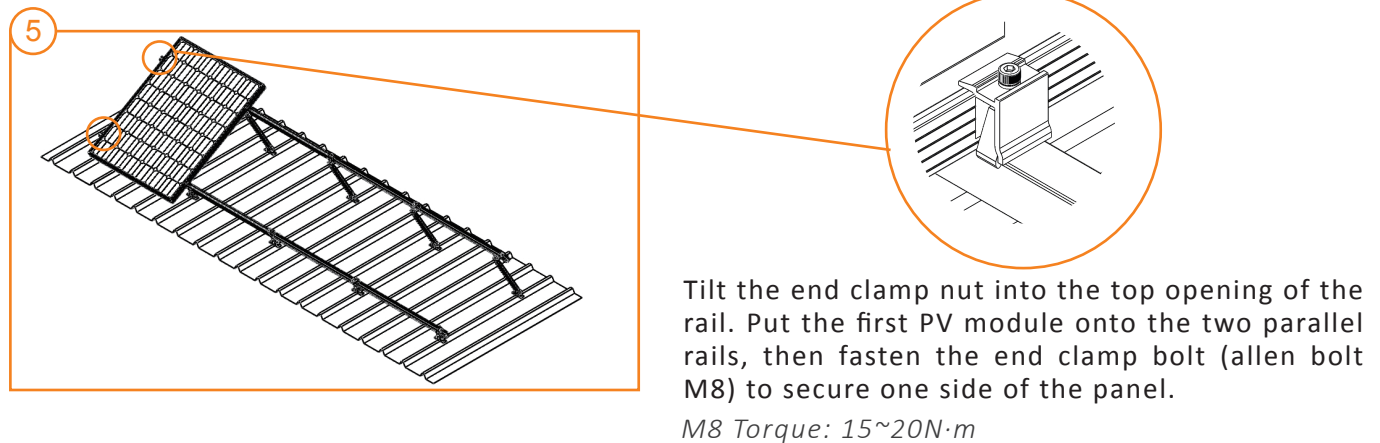
## Installation of Rail



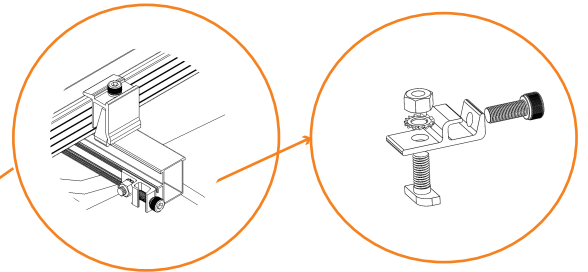
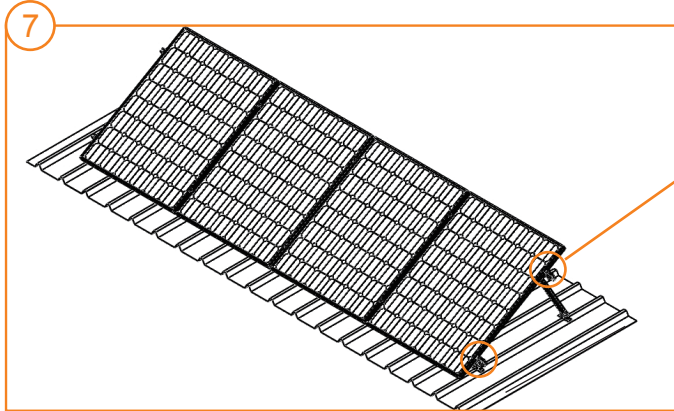
Connect the rail to the adjustable leg with the T bolt M8\*30 , Fasten to secure. Use the rail splice kit to connect the two rails with the four  $\phi 4.2 \times 16$  self tapping bolts.

M8 Torque: 15~20N·m

## Installation of End and Mid Clamps



## Installation of Grounding lug



Install all the panels and fasten end clamps at the end of each array.  
Install a grounding lug onto each rail line edge with an allen bolt M8\*25 and a stainless steel nut, then connect 8.4mm<sup>2</sup> ( greater than or equal to 8AWG) copper wire through all the grounding lugs (fixed by M8\*20 allen bolt), finally connect a copper wire to the ground. *M8 Torque: 15~20N·m*

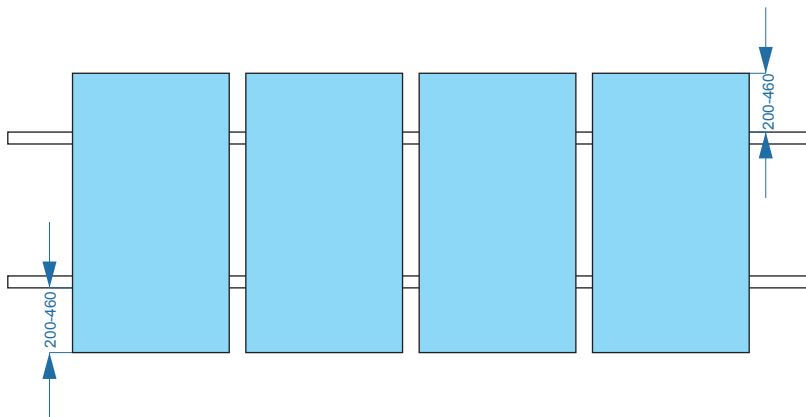
## NOTICE

This manual is for a non-integral module or panel, assembly to be mounted over a fire resistant roof covering rated for the application.

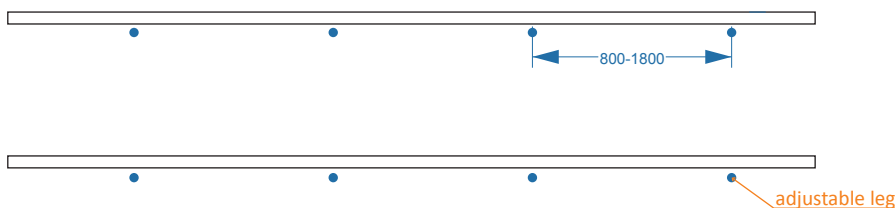
Re-inspect the installation in case of loose components, loose fasteners or any corrosion, the affected components should be replaced immediately.

Rail spacing's are as follows:

- When installing in portrait profile, rails should keep 200mm to 460mm from the module



- The distance between Chiko 13# hooks on tile roof could be 800-1800mm.



For additional information please contact us:

**Shanghai CHIKO Solar Technology Co., Ltd.**

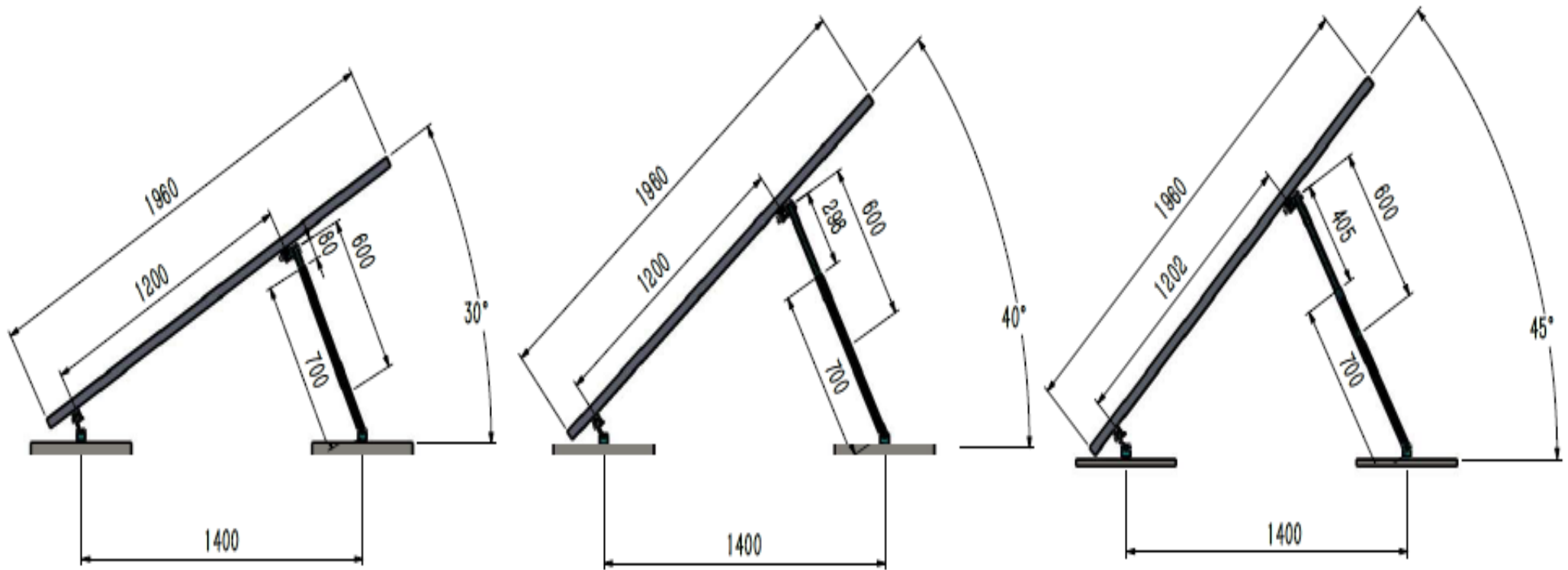
No.680 Xingwen Road, Jiading District, Shanghai 201815 China  
Tel: +86-21-59972267 [www.chikosolar.com](http://www.chikosolar.com) / [www.chikolar.com](http://www.chikolar.com)

A

B

C

D



Drawing 1-1

Mark	Modification	Modify by	Doc No.	Data

Des		
Drw	Bowen	200317
Check		
Craft		
App		

Shanghai CHIKO Solar Technology Co., Ltd

全铝可调  
30° -45°

View: Rate Page /

A

B

C

D