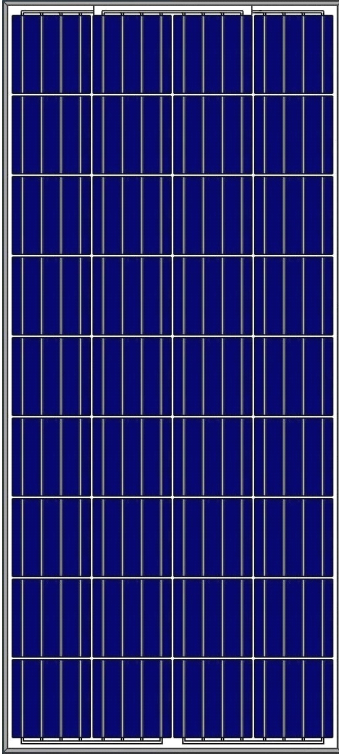




AS-6P18

POLYCRYSTALLINE MODULE



ADVANCED PERFORMANCE & PROVEN ADVANTAGES

- High module conversion efficiency up to 17.74% by using high efficient solar cells and advanced manufacturing technology.
- Low degradation and excellent performance under high temperature and low light conditions.
- Robust aluminum frame ensures the modules to withstand wind loads up to 2400Pa and snow loads up to 5400Pa.
- High reliability against extreme environmental conditions (passing salt mist, ammonia and hail tests).
- Potential induced degradation (PID) resistance.
- Positive power tolerance of 0 ~ +3 %.

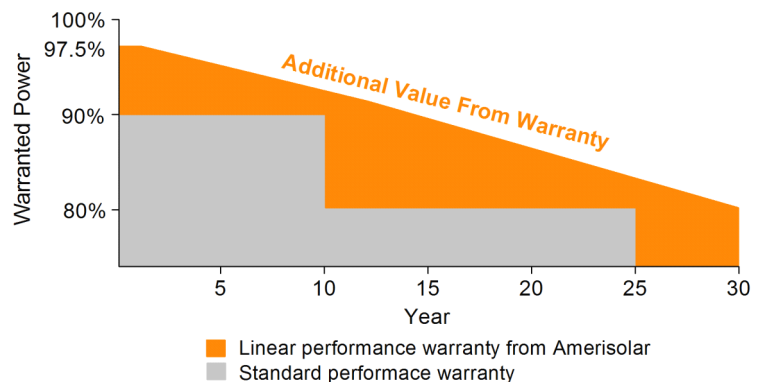
CERTIFICATIONS

- IEC61215, IEC61730, IEC62716, IEC61701, CE, CQC, CGC, ETL(USA), JET(Japan), J-PEC(Japan), Kemco(South Korea), KS(South Korea), MCS(UK), CEC(Australia), FSEC(FL-USA), CSI Eligible(CA-USA), Israel Electric(Israel), InMetro(Brazil), TSE(Turkey)
- ISO9001:2008: Quality management system
- ISO14001:2004: Environmental management system
- OHSAS18001:2007: Occupational health and safety management system

SPECIAL WARRANTY

- 12 years limited product warranty.
- Limited linear power warranty: 12 years 91.2% of the nominal power output, 30 years 80.6% of the nominal power output.

Passionately
committed to
delivering innovative
energy solution



ELECTRICAL CHARACTERISTICS AT STC

Nominal Power (P_{max})	150W	155W	160W	165W	170W	175W
Open Circuit Voltage (V_{OC})	22.6V	22.8V	23.0V	23.2V	23.4V	23.6V
Short Circuit Current (I_{SC})	8.70A	8.88A	9.05A	9.23A	9.40A	9.57A
Voltage at Nominal Power (V_{mp})	18.2V	18.4V	18.6V	18.8V	19.0V	19.2V
Current at Nominal Power (I_{mp})	8.25A	8.43A	8.61A	8.78A	8.95A	9.12A
Module Efficiency (%)	15.21	15.72	16.22	16.73	17.24	17.74
Operating Temperature	-40°C to +85°C					
Maximum System Voltage	1000V DC					
Fire Resistance Rating	Type 1(UL1703)/Class C(IEC61730)					
Maximum Series Fuse Rating	15A					

STC: Irradiance 1000W/m², Cell temperature 25°C, AM1.5

ELECTRICAL CHARACTERISTICS AT NOCT

Nominal Power (P_{max})	110W	114W	118W	121W	125W	129W
Open Circuit Voltage (V_{OC})	20.8V	21.0V	21.2V	21.4V	21.6V	21.8V
Short Circuit Current (I_{SC})	7.05A	7.19A	7.33A	7.48A	7.62A	7.75A
Voltage at Nominal Power (V_{mp})	16.6V	16.8V	17.0V	17.2V	17.4V	17.6V
Current at Nominal Power (I_{mp})	6.63A	6.79A	6.95A	7.04A	7.19A	7.33A

NOCT: Irradiance 800W/m², Ambient temperature 20°C, Wind Speed 1 m/s

MECHANICAL CHARACTERISTICS

Cell type	Polycrystalline 156x156mm (6x6inches)
Number of cells	36 (4x9)
Module dimensions	1480x670x35mm (58.27x26.38x1.38inches)
Weight	12kg (26.5lbs)
Front cover	3.2mm (0.13inches) tempered glass with AR coating
Frame	Anodized aluminum alloy
Junction box	IP65, 2 diodes
Cable	4mm ² (0.006inches ²), 900mm (35.43inches)
Connector	MC4 or MC4 compatible

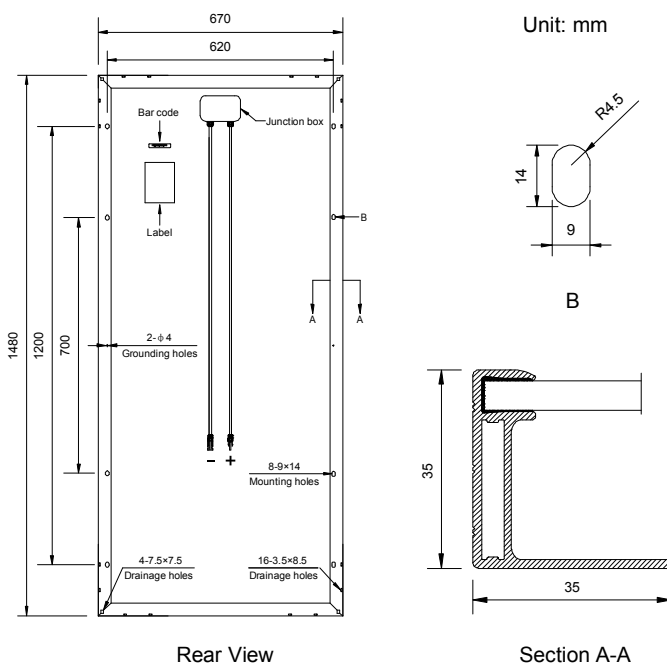
TEMPERATURE CHARACTERISTICS

Nominal Operating Cell Temperature (NOCT)	45°C±2°C
Temperature Coefficients of P_{max}	-0.41%/°C
Temperature Coefficients of V_{OC}	-0.31%/°C
Temperature Coefficients of I_{SC}	0.05%/°C

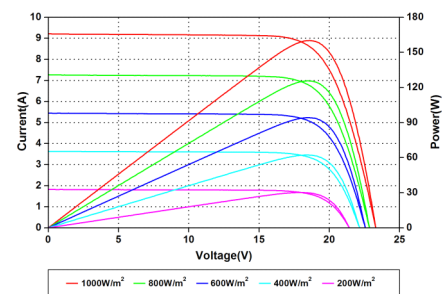
PACKAGING

Standard packaging	29 pcs/pallet
Module quantity per 20' container	504 pcs
Module quantity per 40' container	1305 pcs

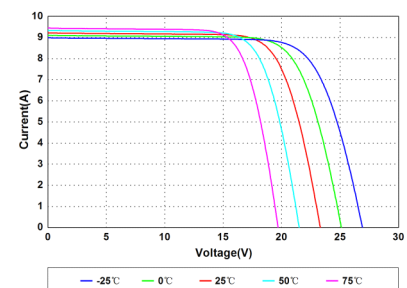
ENGINEERING DRAWINGS



IV CURVES



Current-Voltage and Power-Voltage Curves at Different Irradiances



Current-Voltage Curves at Different Temperatures

Specifications in this datasheet are subject to change without prior notice.